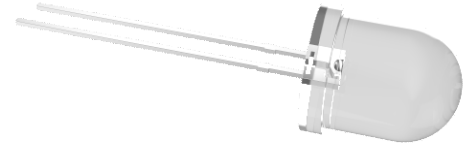




LAMP LED 10MM

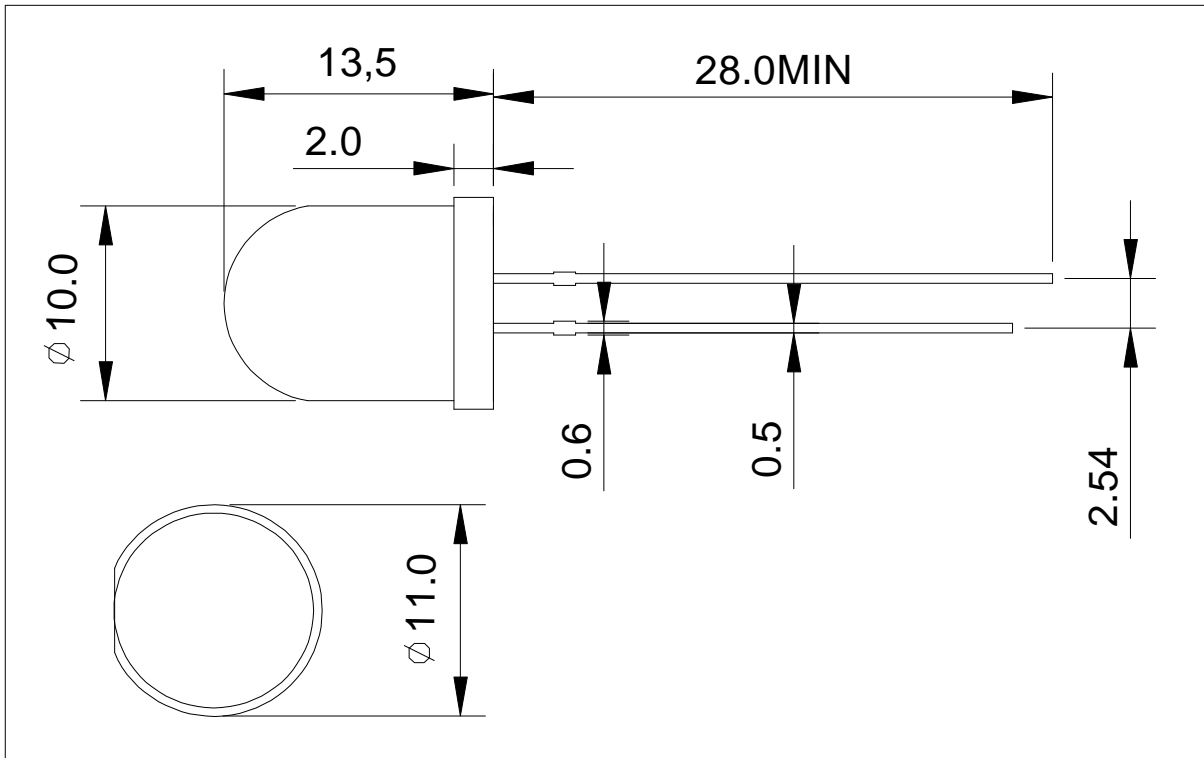


Packing: anti-static bag, 1000/bag

viewing angle: Lambertian Emitter (15-90°)

Welding: IR Reflow Soldering Profile for lead free soldering, 260°C±5°C for 3 -5seconds. Wave soldering lead-free soldering 260°C±5°C for 3 -5seconds. Manual lead-free soldering 360°C±5°C for 2-3 seconds.

Package Outlines



Note: 1. All dimensions are in millimeters (inches).
2. Tolerance is ±0.1mm unless otherwise noted.

Ordering Information

Type	Color of Emission	Adaptation current	Brightness Group	Wavelength
10MM LAMP	White	$I_F = 20mA$	X0.30/Y0.30	1000-22000mcd
10MM LAMP	Red	$I_F = 20mA$	615-645nm	400-6000mcd
10MM LAMP	Yellow	$I_F = 20mA$	586-592nm	300-5800mcd
10MM LAMP	Yellow Green	$I_F = 20mA$	565-576nm	82-600mcd
10MM LAMP	True Green	$I_F = 20mA$	515-525nm	1000-18000mcd
10MM LAMP	Blue	$I_F = 20mA$	460-475nm	300-5800mcd

Note: Please contact the salesman for detailed specifications!