



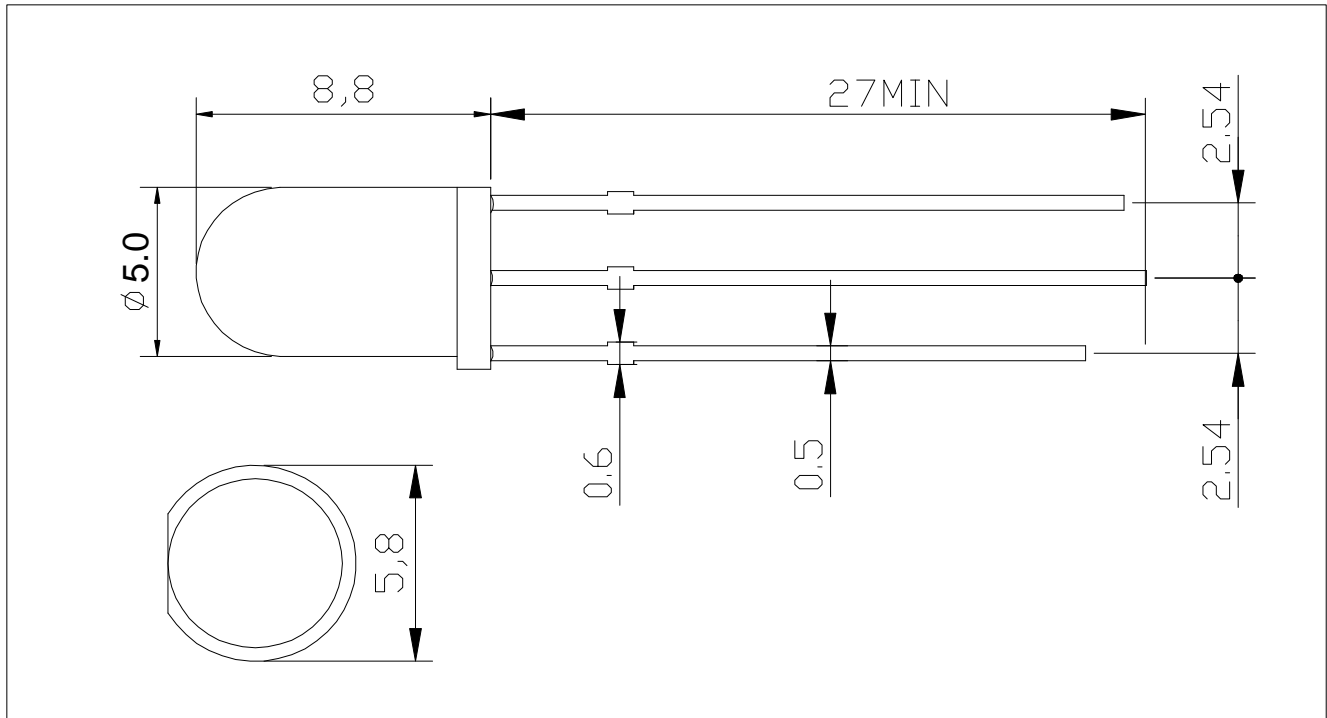
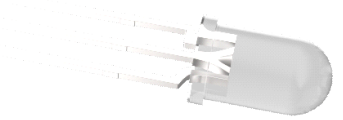
LAMP LED 5MM Two-color

Packing: anti-static bag, 1000/bag

viewing angle: Lambertian Emitter (15-90°)

Welding: IR Reflow Soldering Profile for lead free soldering, 260°C±5°C for 3 -5seconds. Wave soldering lead-free soldering 260°C±5°C for 3 -5seconds. Manual lead-free soldering 360°C±5°C for 2-3 seconds.

Package Outlines



Note: 1. All dimensions are in millimeters (inches).
2. Tolerance is ±0.1mm unless otherwise noted.

Ordering Information

Type	Color of Emission	Adaptation current	Brightness Group	Wavelength
5MM LAMP	Red/Yellow Green	$I_F = 20mA \times 2$	615-645/565-576nm	80-1200/12-65mcd
5MM LAMP	Red/ True Green	$I_F = 20mA \times 2$	615-645/515-525nm	80-1200/420-6000mcd
5MM LAMP	Red/ Blue	$I_F = 20mA \times 2$	615-645/460-475nm	80-1200/80-1200mcd
5MM LAMP	Red/Yellow	$I_F = 20mA \times 2$	615-645/586-592nm	80-1200/80-1200mcd

Note: Please contact the salesman for detailed specifications!